

UT-210 规格书

(物料名称: 接口转换器)

1. 品牌与制造商信息

- 品牌: 宇泰科技 (UTEK)
- 制造商:
- Logo: 

2. 物料型号及版本

- 型号: UT-210
- 版本: VER:01

3. 主要功能、特性

- 支持 RS-232 转 TTL 接口转换器

4. 技术参数

1. 接口特性: 接口兼容 EIA/TIA 的 RS-232C、TTL/COMS 标准
2. 电气接口: RS-232 端 DB9 孔型连接器, TTL 端 DB9 针型连接器。
3. 工作方式: 异步全双工
4. 传输介质: 双绞线或屏蔽线
5. 传输速率: 300bps-115.2Kbps
6. 外形尺寸: 63mm×34mm×18mm
7. 使用环境: -40℃ 到 85℃, 相对湿度为 5%到 95%
8. 传输距离: 5 米

5. 硬件定义及初始设定

RS-232C 引脚分配

DB9 Female(PIN)	RS-232C 接口信号
1	DCD
2	发送数据 SOUT (TXD)
3	接收数据 SIN (RXD)
4	DTS
5	信号地 GND
6	DTR
7	RTS
8	CTS
9	RI

TTL 输出信号引脚分配

DB9 Male(PIN)	输出信号	TTL 输出 (5V)
1	RXD	接收数据
2	TXD	发送数据
3	空	空
4	空	空
5	地	地线
6	+5V	+5V 备用电源输入
7,8,9	空	空

6. 产品视图 (外观图)



7. 产品认证资质(法律法规)说明



Bldg 69, Majialing Industry Zone, Nanshan District, Shenzhen, Guangdong, 518052 P.R. China
 www.emtek.com.cn Tel: +86-755-2695 4280 Fax: +86-755-2695 4282




Certificate of Conformity

NO.: E0805123E

The following products have been tested by us with the listed standards and found in conformity with the council EMC directive 2004/108/EC. It is possible to use CE marking to demonstrate the conformity with this EMC Directive.

Applicant	: UTEK TECHNOLOGY(SHENZHEN) CO., LTD.
Address	: 7/F, No.1, Xinghua 1 Road, District 44, Baoan, Shenzhen
Manufacturer	: UTEK TECHNOLOGY(SHENZHEN) CO., LTD.
Address	: 7/F, No.1, Xinghua 1 Road, District 44, Baoan, Shenzhen
Trade Mark	: UTEK
EUT	: Interface Converters
M/N	: UT-210, UT-211, UT-212
Test Standards	: EN55022: 2006 EN55024: 1998+A1: 2001+A2: 2003

The test report was carried out from the submitted type samples of a product in conformity with the specification of the respective standards. The certificate holder has the right to fix the CE-mark for EMC directive on the product complying with the inspection samples.



Bldg 69, Majialing Industry Zone, Nanshan District, Shenzhen, Guangdong, 518052 P.R. China
 www.emtek.com.cn Tel: +86-755-2695 4280 Fax: +86-755-2695 4282



Declaration of Conformity

This device is in conformance with Part 15 of the FCC Rules and Regulations. Operation of this product is subject to the following two conditions: (1) this device may not cause harmful interference, and (2) this device must accept any interference received, including interference that may cause undesired operation.

Applicant	: UTEK TECHNOLOGY(SHENZHEN) CO., LTD.
Address	: 7/F, No.1, Xinghua 1 Road, District 44, Baoan, Shenzhen
Manufacturer	: UTEK TECHNOLOGY(SHENZHEN) CO., LTD.
Address	: 7/F, No.1, Xinghua 1 Road, District 44, Baoan, Shenzhen
Trade Mark	: UTEK

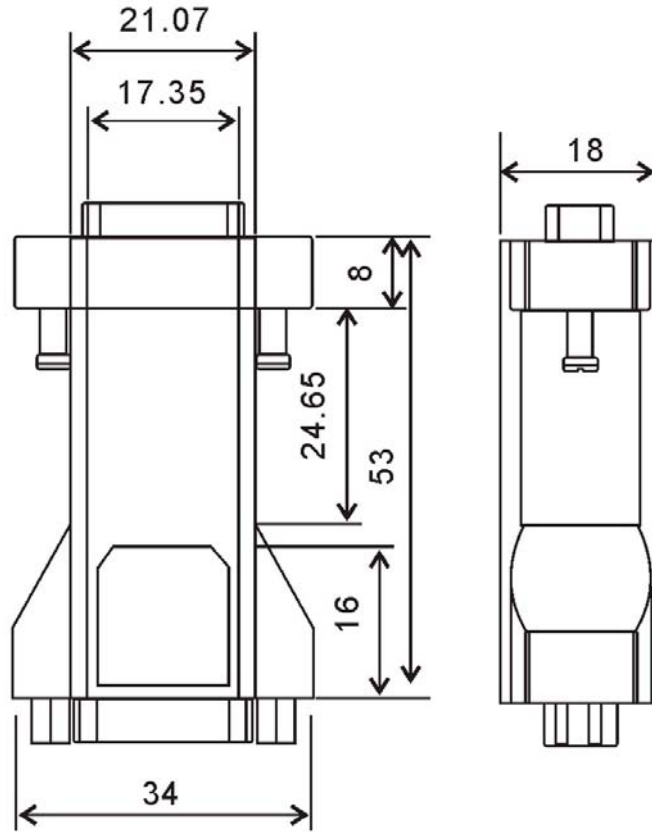
EUT Certification Summary	
Equipment Class	: FCC Part 15 Class B
Report Number	: E0805123F
Tested by	: SHEN ZHEN EMTEK CO., LTD

We, the responsible party:
UTEK TECHNOLOGY(SHENZHEN) CO., LTD.
 Declare that the product
Interface Converters
 M/N: UT-210, UT-211, UT-212




Was tested to conform to the applicable FCC Rules and Regulations. The method of testing was in accordance to the most accurate measurement standards possible, and that all necessary steps have been enforced to assure that all production units of the same equipment will continue to comply with the Federal Communications Commission's requirements.

8. 结构尺寸图



9. 机身铭牌（包含认证标识）



10. 附件清单

名称	数量（单位）
包装盒	1PCS
珍珠棉	1PCS
说明书	1PCS

11. 包装方式及外箱标识



包装盒尺寸是：160×105×55mm

注：生产批号、生产日期以实际货物为准。

12. 存储运输要求

存储温度：-40 度到+85 度,相对湿度为 5%到 95%

13. 加工/组装/安装注意事项（可选）

14. 典型参数的测试方法（可选）

15. 产品质保及服务（可选）